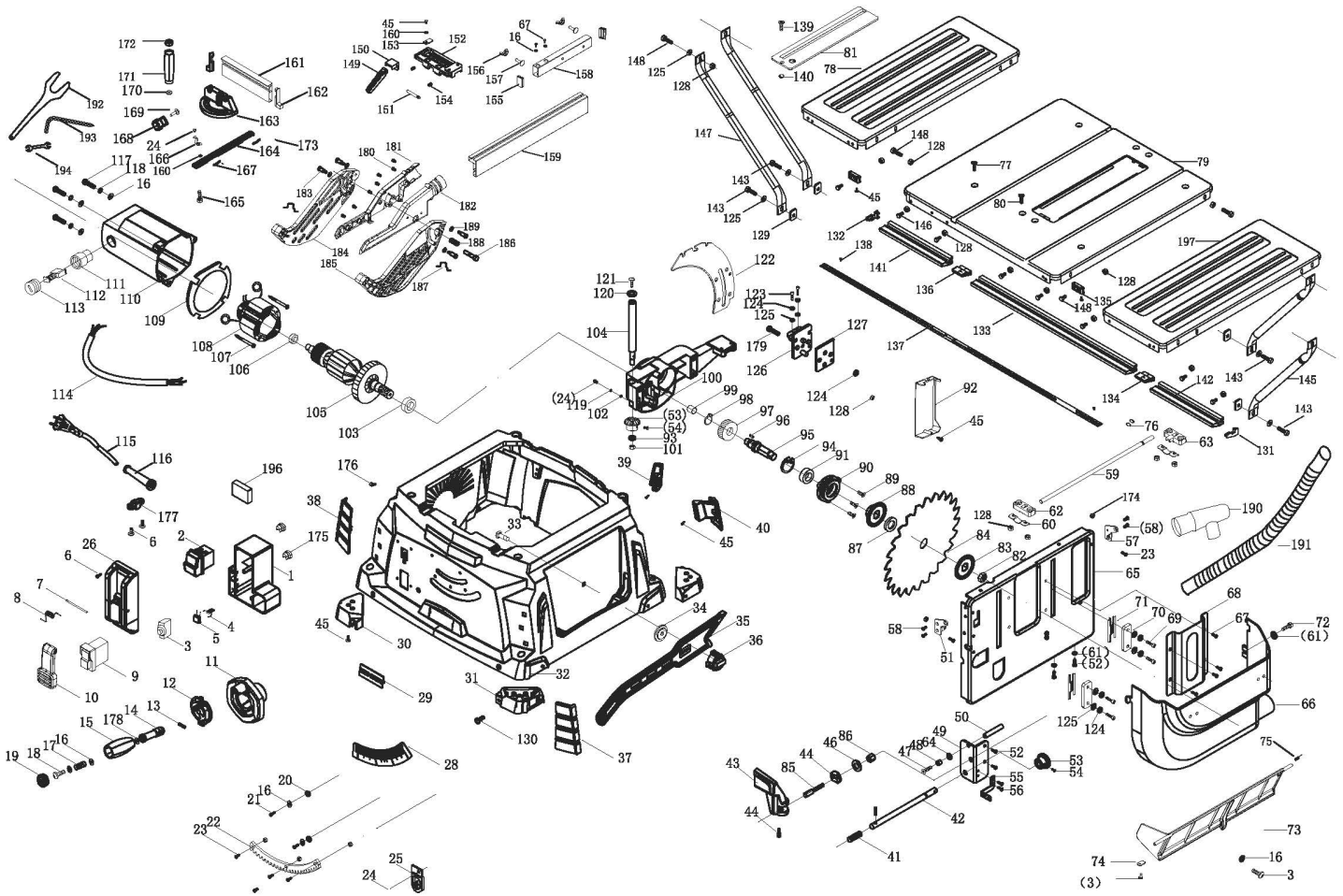
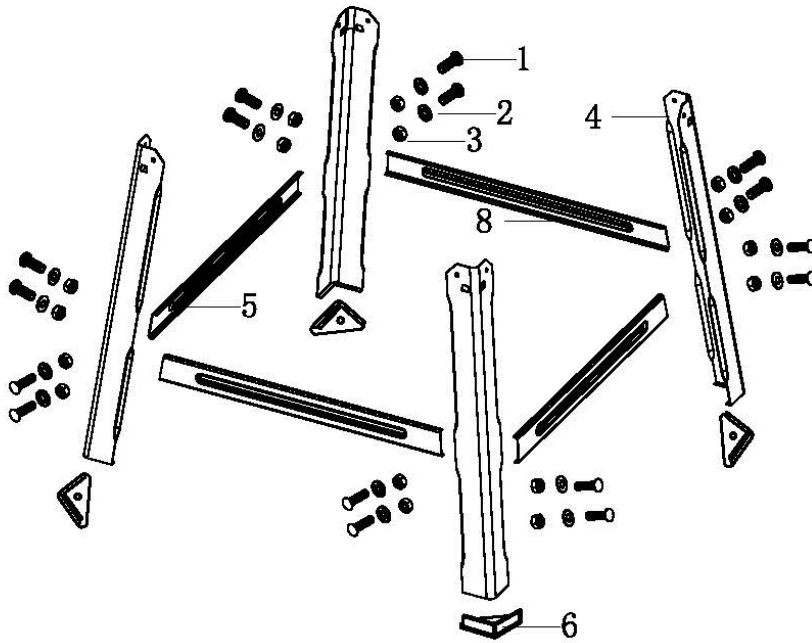


Scheppach

5901318905

circular saw bench
HS112-2x scheppach
(DIY)





Main products

Spare part list

5901318905

131346 - 0110 - HS112-2x - -

Spare	Description	additional	Item	Abb.	ConstructStatus
3901324031	Stand cpl.		1-8	A	*
3901326002	switch of speed	KR55/2 15A 250VAC	2	A	*
40280168	motor protecting switch 10A part 45		3	A	*
3906401014	capacitor	0.33 uF / 275V	5	A	*
5904408013	switch	KJD17	9	A	*



5901318905

circular saw bench
HS112-2x scheppach
(DIY)

Main products

Spare part list

5901318905

131346 - 0110 - HS112-2x - -

Spare	Description	additional	Item	Abb.	ConstructStatus
3901324001	Emergent Button		10	A	*
3901324002	Hand Wheel cpl.	RAL9005	11-19,178	A	*
5901308003	gear rack		22	A	*
3901324003	Pointer		24,25	A	*
5901318021	switch holder		26	A	*
3901324005	Joint left of stand		30	A	
3901324006	Joint right of stand		31	A	*
5901318002	Body		32	A	
3901324008	fixing screw		33,34,36	A	*
53206208	push stick		35	A	*
3901324009	Cable Hook Right		39	A	*
3901324010	Cable Hook Left		40	A	*
3901324011	Rotate Axis with pin		42	A	*
3901324012	Pressure Handle		43	A	*
5901308008	screw M4 part 43		44	A	*
5901308010	location ring part 45		44	A	*
5901308011	plastic washer part 46		46	A	*
5901308012	gear wheel		53	A	*
02799104	screw	M4x16	54	A	*
5901308060	motor support board part 65		65	A	*
5901308081	ejector chute		66	A	*
5901308059	Abdeckung Teil 211		73	A	*
3901326011	extension table		78	A	*
3901324015	Working Table		79	A	*
5901308083	table insert		81	A	*



5901318905

circular saw bench
HS112-2x scheppach
(DIY)

Main products

Spare part list

5901318905

131346 - 0110 - HS112-2x - -

Spare	Description	additional	Item	Abb.	ConstructStatus
5901308014	nut M14 part 82	SW = 22	82	A	*
5901308015	outer pressure board	Ø52x9mmØ16.1mm	83	A	*
3901203702	Sawblade HW, Ø254/30 teeth 48 WZ carton packed		84	A	*
3901203703	HW saw blade Ø 254 x 30 x 2,8 mm / 24 T		84	A	*
5901308061	saw blade locating ring		87	A	*
5901308016	inner pressure board	Ø52x16,5	88	A	*
5901308017	gear cpl.		90-98	A	*
5901316029	endcover plate		92	A	*
5901308085	Engine	2,0kW 230V/50Hz B14	99,100,103,105A 114		*
5901308020	screw bar part 104		104	A	*
5901308021	carbon brush	15x6.4x15 (Satz=2Stück)	112	A	*
3908201092	covering		113	A	*
5901304021	Cable with plug EU-Version	H05VV-F 3x1,00mm ²	115	A	*
5901318004	Cable with UK-plug		115	A	*
5901308067	cable plug part A116		116	A	*
5901308082	riving knife		122	A	*
5901308070	Riving knife pressure board cpl.		124,126-128,179	A	*
3901326017	end cover right		131	A	*
3901326018	end cover left		132	A	*
5901318007	Front rail guide long		133	A	*
5901318008	Small jointer of rail 1 right		134	A	*
5901318009	Small jointer of rail 2		135	A	*
3901326019	small jointer 1 of rail left		136	A	*
3901326020	scale long		137	A	*
5901318012	Front rail guide short left		141	A	*



5901318905

circular saw bench
HS112-2x scheppach
(DIY)

Main products

Spare part list

5901318905

131346 - 0110 - HS112-2x - -

Spare	Description	additional	Item	Abb.	ConstructStatus
5901318013	front rail guide short right		142	A	*
3901326010	support bar for right extension table	370mm	145	A	*
3901326024	support bar for left extension table	430mm	147	A	*
3901326022	fence assy		149-160,16,45,6X		*
05006311	wing nut	P 120 32 16 PA6/ST PELTZER	156	A	*
5901318017	Fence long		159	A	*
3901326021	mitre gauge assy		160-173,24	A	*
5901308076	blade cover assy		180-189	A	*
5901308053	Connection Adapter		190	A	*
5901308049	suction hose	Ø35/32x1500	191	A	*
5901308047	wrench WS22	SW 22	192	A	*
01091107	hexagon stud wrench	size 6	193	A	*
3906705085	wrench 8/10 mm part 76		194	A	*
3901326011	extension table		197	A	*
3901324030	enclosed accessories bag		o.Abb.	A	*
5901308065	suction port		o.Abb.	A	*
5901308052	enclosed accessories bag machine stand		1-3	B	*
3901324032	Rubber Foot		6	B	*

!!! Do you know: From now on you can view spare parts lists in our spare parts shop and order spare parts and accessories directly. More information can be found here: <https://www.scheppach.com/Shop.aspx>